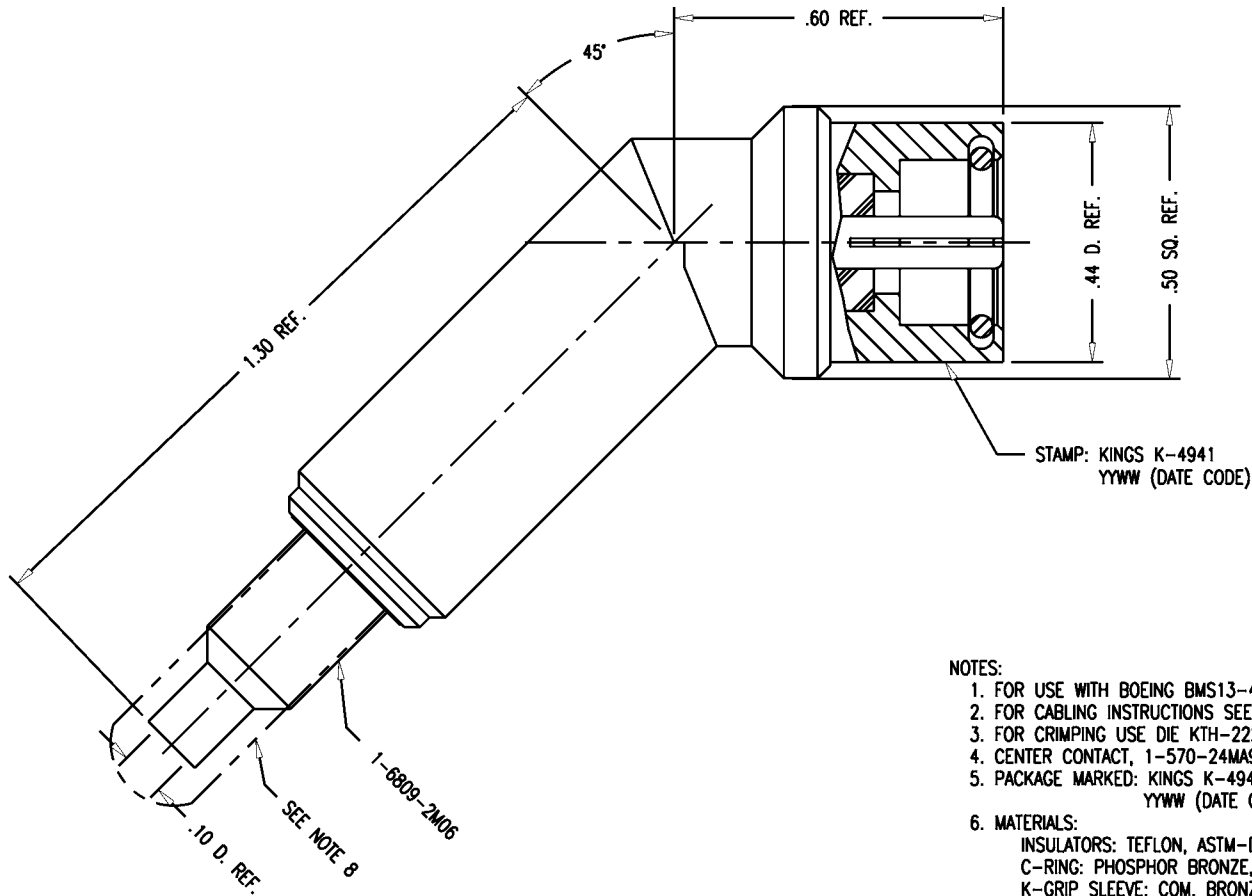


# GSD



STAMP: KINGS K-4941  
YYWW (DATE CODE)

- NOTES:
- FOR USE WITH BOEING BMS13-48 (E/W48/X II/1-20) CABLE.
  - FOR CABLING INSTRUCTIONS SEE 3-558.
  - FOR CRIMPING USE DIE KTH-2223.
  - CENTER CONTACT, 1-570-24MA9, SUPPLIED UNASSEMBLED.
  - PACKAGE MARKED: KINGS K-4941 YYWW (DATE CODE)
  - MATERIALS:  
INSULATORS: TEFLON, ASTM-D-1457  
C-RING: PHOSPHOR BRONZE, QQ-B-750  
K-GRIP SLEEVE: COM. BRONZE TUBE, ALLOY 220  
CONTACT F: BER. COPPER, ASTM-B-196  
ALL OTHER METAL PARTS: BRASS, ASTM-B16
  - FINISHES:  
CENTER CONTACTS: HARD GOLD PLATE, PER MIL-G-45204  
ALL OTHER METAL PARTS: KINGS TARNISH RESISTANT FINISH (TR-5)
  - PROTECTIVE CAP TO BE SUPPLIED ASSEMBLED.

K-4941

REVISIONS		
ISSUE	CHANGES	
0	ER JCA	34914 09/07/93
1	CN AR	36910 B 04/08/96
2	CN TML	37826 A 04/20/99

KAM2733

SCALE	4:1	
APPROX SURFACE AREA	WAS: E-17926	
USED ON		
REF:		
	PL, 45°, SPECIAL	
DRAWN	KH	DATE 04/26/93
DESIGN	CT	DATE 04/27/93
APPR.	JT	DATE 04/28/93

**KINGS**  
ELECTRONICS CO., INC.  
TUCKAHOE, NEW YORK 10707

K-4941

# GSD